



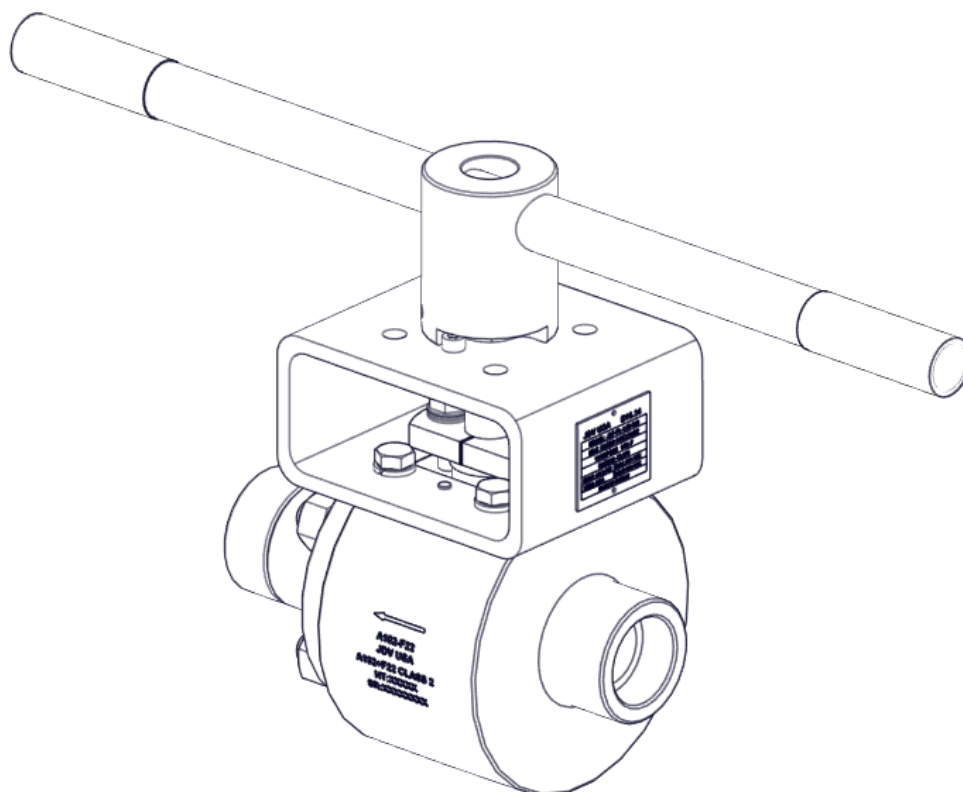
JDV CONTROL VALVES CO., LTD.

Technology For The Professionals.

JDV CONTROL VALVES CO.,LTD.

Installation, Operation and Maintenance

JBF-PL 2-PC Floating Type Metal Seated Ball Valve



VERSION: V 1.0
ISSUED DATE: 2021/01



NO.6-1, QINGNIAN ROAD, YANGMEI DISTRICT, TAOYUAN CITY 326 , TAIWAN

TEL: +886-3-4965066

FAX: +886-3-4965300

HTTP://www.jdv.com.tw



JDV CONTROL VALVES CO., LTD.

Technology For The Professionals.

JBF-PL 2-PC Floating Type Metal Seat Ball Valve Instructions for Installation, Operation and Maintenance

Contents

Notes prior to Use.....	4
Safety Notification:.....	5
Product Transportation/Storage/Maintenance.....	6
Storage & Maintenance	7
Notes prior to Operation	8
Sealing direction	9
Valve information.....	11
Operating Configurations.....	12
Maintenance and Troubleshooting.....	13
Valve BOM	14
Lever Set BOM.....	16
Installation of Lever Set	17
Position verify	17
Installation	19
Verify ball position.....	19
Valve installation in piping.....	19
Weld valve in place.....	20
Post weld heat treatment (PWHT)	20
Install heating blankets	20
Proper PWHT installation.....	20
IMPROPER PWHT INSTALLATION.....	21
STRESS RELIEVE THE WELDS.....	21
Verify operation	22



NO.6-1, QINGNIAN ROAD, YANGMEI DISTRICT, TAOYUAN CITY 326 , TAIWAN

TEL: +886-3-4965066

FAX: +886-3-4965300

HTTP://www.jdv.com.tw



JDV CONTROL VALVES CO., LTD.

Technology For The Professionals.

Valve insulation	22
Replace Stem Packing	23
Procedure of Disassembling	24
JBF-PL Disassembling/Assembling Procedure	25



NO.6-1, QINGNIAN ROAD, YANGMEI DISTRICT, TAOYUAN CITY 326 , TAIWAN

TEL: +886-3-4965066

FAX: +886-3-4965300



HTTP://www.jdv.com.tw



Notes prior to Use

1. Read the instructions for installation, operation, maintenance carefully before operating the product.
2. Identify the warning banners and descriptions mentioned in this document.
3. Please put the instructions for installation, operation, maintenance in an easy access site in order for query in use.

Warning Banners

Banner	Description
	This indicates a dangerous situation. Slight or moderate injury might be resulted if it is not averted.
	Death or severe injury might be resulted if such potential dangerous situation is not averted.





JDV CONTROL VALVES CO., LTD.

Technology For The Professionals.

Safety Notification:

Design engineers or product users identify basic product specifications and check the compliance of valve and installation equipment in order to guarantee safe use.

Prior to installation of valve, the compliance of operating conditions (temperature, pressure, fluid characteristics, ambient conditions, installation gauges etc.) with the service conditions set for valve has to be checked and identified.

	<p>Warning Do not get beyond the limitation indicated by valve specification or technical parameters, or otherwise, death or severe injury might be resulted.</p>
	<p>Caution Valve may be used indoors or outdoors. If it is exposed to atmospheric environment, erosion of valve has to be cared, or otherwise, slight or moderate injury might be resulted.</p>



NO.6-1, QINGNIAN ROAD, YANGMEI DISTRICT, TAOYUAN CITY 326, TAIWAN


TEL: +886-3-4965066

FAX: +886-3-4965300

HTTP://www.jdv.com.tw



Product Transportation/Storage/Maintenance

	<p>Warning</p> <ol style="list-style-type: none">1. In moving or transportation, suitable tools have to be selected for correct equipment and accessories (sling, fastener, hook and so forth) in terms of size with consideration of individual weights of details in the package and the complete total weight.2. Ball valve lifting and handling should be operated by qualified operators. Inappropriate lifting would result in deformation or dropping of valve to damage the valve.3. Do not lift the valve using the suspending point or bracket arranged on cylinder to prevent from danger.4. Do not use the lever of the manual valve to take or lift ball valve. In such a way, the lever of the manual valve would fractured or depart from the valve, such that damage or human injury might be resulted.
---	--

* The product has to be packed well to avoid unnecessary damage when transportation to and storage in warehouse. Particularly, the following precautionary measures have to be cared:

Transportation

1. The openings on two sides of the ball valve have to be protected well using appropriate sealing cover in order to guarantee clean interior of the valve and prevent foreign objects from entry.
2. The packaging has to guarantee safe transportation to storage site. As arrival to the storage site, please identify that the covering material or packing paper or wooden case keeps in a complete status.





JDV CONTROL VALVES CO., LTD.

Technology For The Professionals.

Storage & Maintenance

Preserving of Packed Ball Valve

1. Protect the pack adequately to prevent the pack from damage.
2. There should be warning banners for packs to guarantee that the moving of product would not result in unnecessary damage, such as suspending center of gravity
3. Flange surface and channel opening have to be protected on the surfaces of two sides of the ball valve using adequate sealing patch or cover to guarantee clean interior in the valve and prevent foreign objects from entry.
4. If the used material of the valve is prone to rust, the flange surface and the channel opening have to be coated with antirust oil in order for preventing rust spots from appearing.
5. The storage site has to keep clean and dry.
6. Do not let the product to be exposed to wind/rain or to be sunned.
7. Please check preserving status regularly if the product is to be stored for a period of time.

Preserving of non-packed/unpacked ball valve

1. Please guarantee appropriate protection of the product in order to prevent it from damage.
2. In treating large valve, the product has to be fixed safely and stably. Suitable tools (bracket, hook, fastener, cable) should be used in transportation. In moving, balance has to be kept in order to prevent product from damage due to dropping or shaking in transportation process



NO.6-1, QINGNIAN ROAD, YANGMEI DISTRICT, TAOYUAN CITY 326, TAIWAN

TEL: +886-3-4965066

FAX: +886-3-4965300

HTTP://www.jdv.com.tw

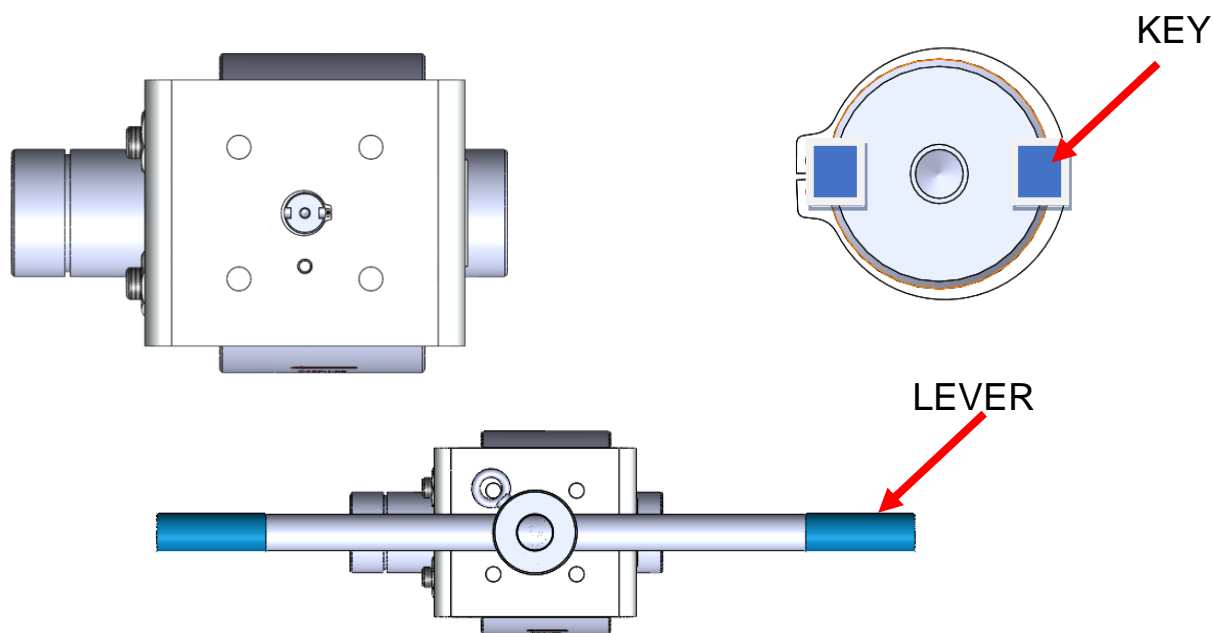


Notes prior to Operation

Manual Valve (Lever Operation)

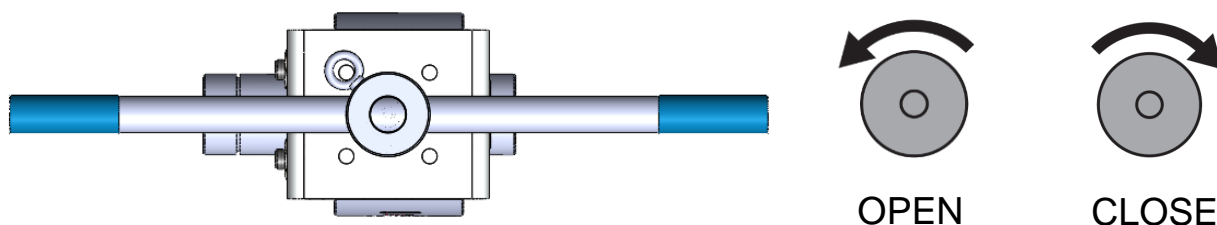
1. In manual operation, over or inadequate operation would damage the lever or components or result in indirect leakage.
2. Please identify that the open or closed position of the ball valve is consistent with the LEVER direction on top of the stem, lever and pipeline.

* Open position of ball valve – please identify that the KEY direction on top of stem on the ball valve is parallel to the lever and pipeline, and the ball valve is in open position. (Figure 2)



(FIGURE 2)

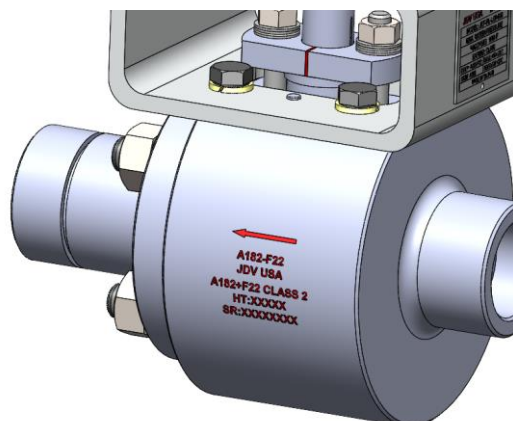
To operate the valve, turn in counter-clockwise to open or clockwise to close.





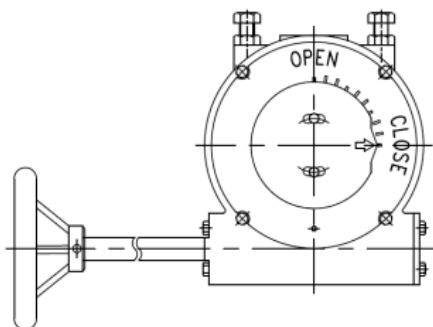
Sealing direction

Valve has a single direction of sealing indicated by a flow arrow on the body.



Manual Valve (Gear Operation)

1. Please identify when the arrow on the gear box indicates line in open position, the ball valve should be in open status; when the arrow is in the close position, the ball valve should be in closed status.
2. In gear operation, over and inadequate operation would cause damage to components of ball valve or result in leakage.



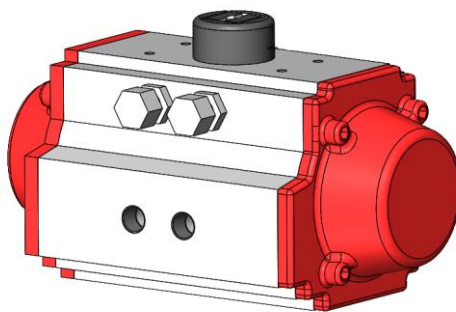




JDV CONTROL VALVES CO., LTD.

Technology For The Professionals.

Pneumatic Ball Valve:

Please operate according to the instructions in the user manual of the cylinder manufacturer for the action valve to be opened or closed pneumatically.



	<p>Warning</p> <p>Do not install valve for pressures or temperatures higher than rated pressure.</p>
	<p>Caution</p> <p>In certain conditions, proper operation may require the flow arrow be opposed to the line flow. Make sure that the high pressure end is positioned toward the highest pressure against the valve in the closed position.</p>



NO.6-1, QINGNIAN ROAD, YANGMEI DISTRICT, TAOYUAN CITY 326, TAIWAN

TEL: +886-3-4965066

FAX: +886-3-4965300

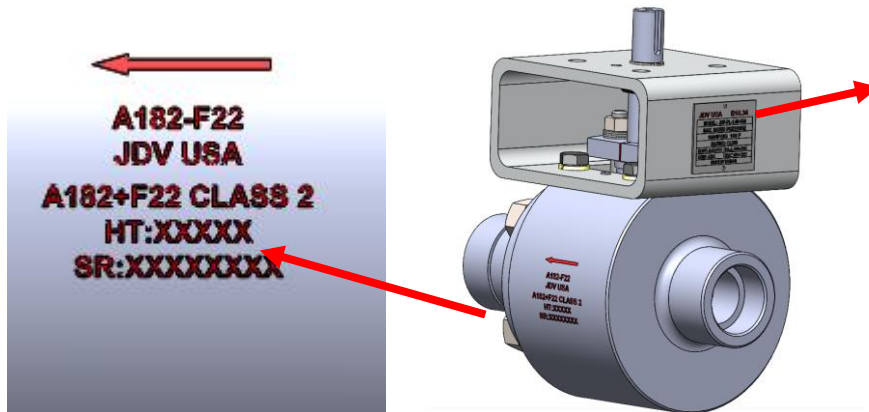
HTTP://www.jdv.com.tw



JDV CONTROL VALVES CO., LTD.

Technology For The Professionals.

Valve information



A182-F22
JDV USA
A182+F22 CLASS 2
HT:XXXXX
SR:XXXXXXX

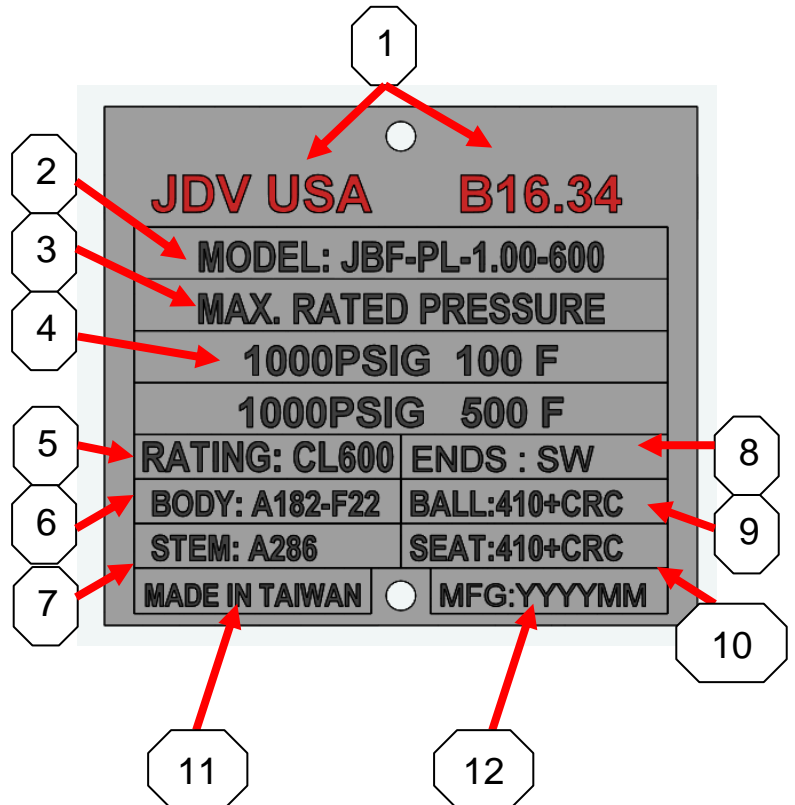
JDV USA B16.34	
MODEL: JBF-PL-1.00-600	
MAX. RATED PRESSURE	
1000PSIG 100 F	
1000PSIG 500 F	
RATING: CL600	ENDS : SW
BODY: A182-F22	BALL:410+CRC
STEM: A286	SEAT:410+CRC
MADE IN TAIWAN	MFG:YYYYMM

INFORMATION LOCATIONS

Valve information is on both sides of the valve body and on the valve nameplate, located on the side of the mounting bracket.

VALVE NAMEPLATE INFORMATION

1. Brand Name / P-T Spec. B16.34/ LTD
2. Model
3. Max. Rated Pressure
4. Working Pressure Information
5. Rating Class
6. Body
7. Stem
8. Ends
9. Ball
10. Seat
11. MFG Location
12. MFG Date



NO.6-1, QINGNIAN ROAD, YANGMEI DISTRICT, TAOYUAN CITY 326 , TAIWAN

TEL: +886-3-4965066

FAX: +886-3-4965300

HTTP://www.jdv.com.tw



JDV CONTROL VALVES CO., LTD.

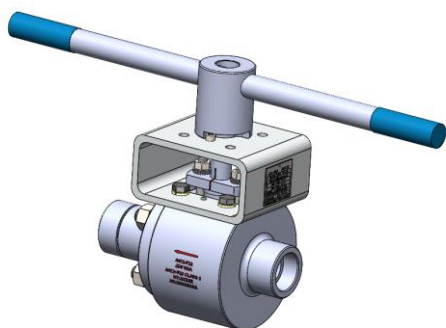
Technology For The Professionals.

Operating Configurations

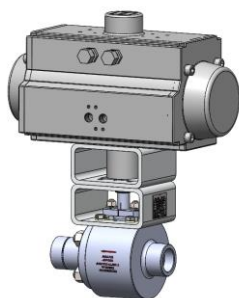
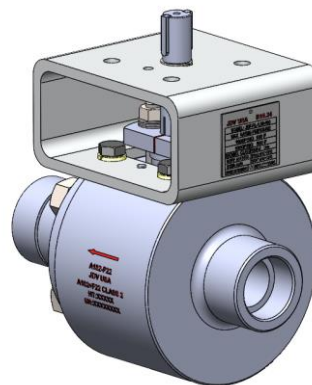
JBF-PL can be supplied in a variety of operating configurations based on customer requirements, including:

- Manual in Lever
- Manual in Gear
- Pneumatic Automation
- Bare Stem

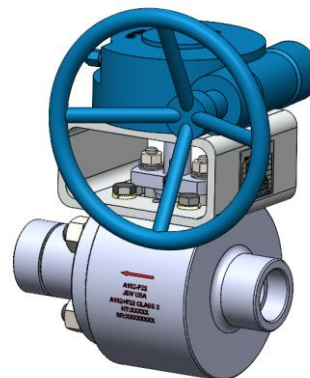
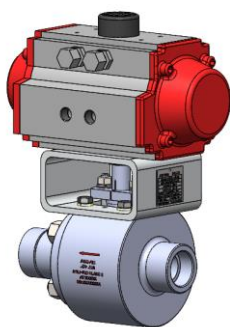
Each of these operating configurations will be 100% tested before the shipment based on customer requirements.



Manual in Lever



Pneumatic Automation



Manual in Gear Box



NO.6-1, QINGNIAN ROAD, YANGMEI DISTRICT, TAOYUAN CITY 326, TAIWAN

TEL: +886-3-4965066

FAX: +886-3-4965300

HTTP://www.jdv.com.tw



Maintenance and Troubleshooting

OPEN/CLOSE THE VALVE REGULARLY

Valves remain long time in open or close position is recommended to cycle once a while to ensure the valve operation.

TIGHTEN PACKING

Re-tighten the articulating packing gland after its first exposure to elevated pressure and temperature.

(See the Table 1)

CHECK THE PACKING GLAND

Packing gland should be checked periodically and adjusted if necessary.

LUBRICATION

JDV metal seated ball valves DO NOT require lubrication.

ROUTINE MAINTENANCE

Keep the routine maintenance to ensure the best sealing function. If the upper seal (stem) appears leakage, please refer the torques in Table 1 to fasten gland bolts uniformly until leakage stops.

Size	Joint Bolt Size	Torque Unit :N-m	Gland Bolt Size	Torque Unit :N-m
1/2"	3/8-16 UNC	19	M8/ A4-70	12
3/4"	3/8-16 UNC	19	M8/ A4-70	12
1"	7/16-14 UNC	47	M8 / A4-70	12
1-1/2"	9/16-12 UNC	103	M10 / A4-70	24
2"	9/16-12 UNC	103	M12 / A4-70	43

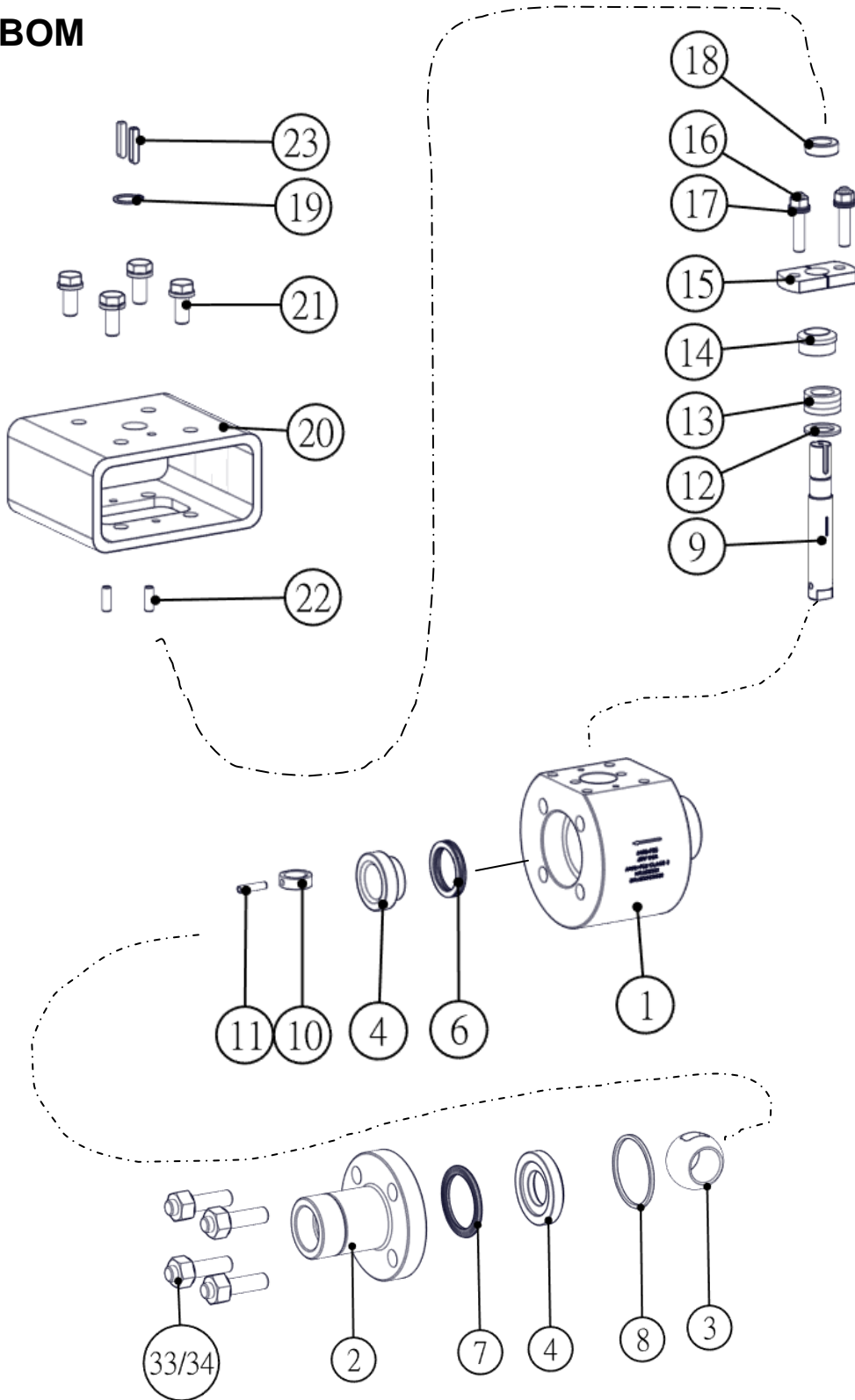
Note: Above torques are non-lubricant.

(Table 1)





Valve BOM



NO.6-1, QINGNIAN ROAD, YANGMEI DISTRICT, TAOYUAN CITY 326, TAIWAN

TEL: +886-3-4965066

FAX: +886-3-4965300

HTTP://www.jdv.com.tw



JDV CONTROL VALVES CO., LTD.

Technology For The Professionals.

ITEM	PARTS NAME
1	BODY
2	CAP
3	BALL
4	UPPERSREAM SEAT
5	DOWNSTREAM SEAT
6	SEAT SPRING
7	BODY GASKET
8	SEAT GASKET
9	STEM
10	STEM RETAINER RING
11	STEM RETAINER PIN
12	PACKING RING
13	PACKING SET
14	GLANDE FOLLOWER
15	GLAND FLANGE
16	GLAND BOLT
17	BELLEVILLE WASHER
18	UPPER RETAINER RING
19	STEM SNAP RING
20	BRACKET
21	BRACKET BOLT & NUT
22	KEY
23	BRACKET PIN
33 / 34	BOLT & NUT



NO.6-1, QINGNIAN ROAD, YANGMEI DISTRICT, TAOYUAN CITY 326 , TAIWAN

TEL: +886-3-4965066

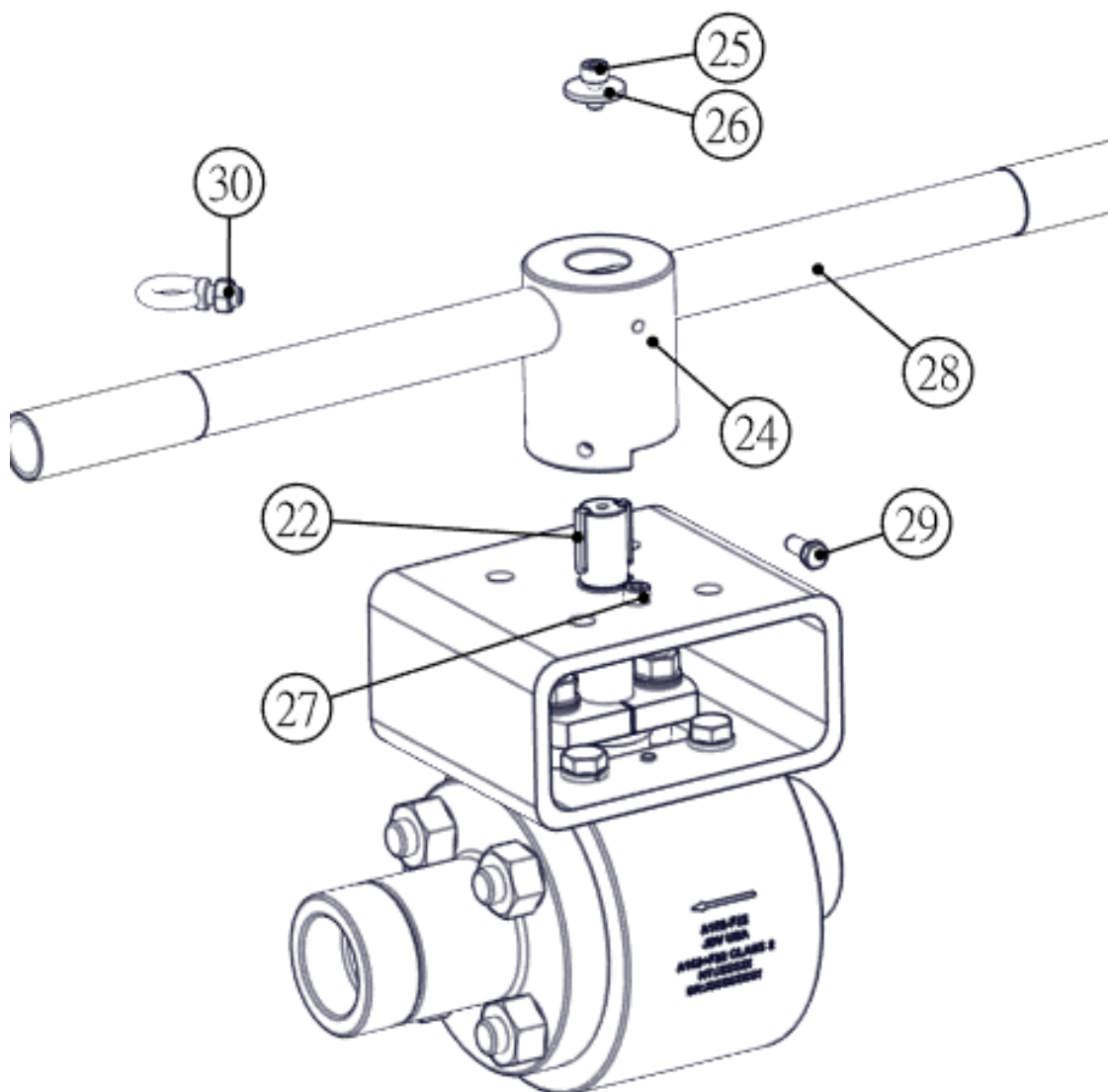
FAX: +886-3-4965300

HTTP://www.jdv.com.tw



Lever Set BOM

24	ADAPTOR
25	ADAPTOR SCREW
26	ADAPTOR WASHER
27	STOPPER
28	LEVER
29	LEVER SCREW
30	LOCK DEVICE



NO.6-1, QINGNIAN ROAD, YANGMEI DISTRICT, TAOYUAN CITY 326, TAIWAN

TEL: +886-3-4965066

FAX: +886-3-4965300

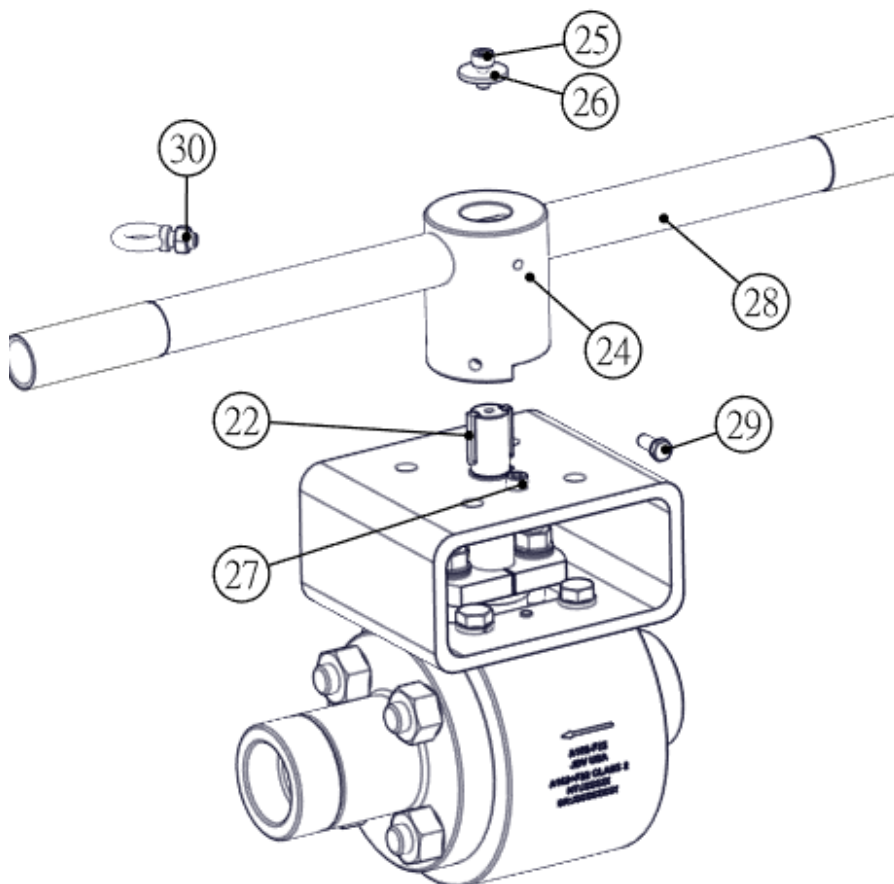
HTTP://www.jdv.com.tw



Installation of Lever Set

INSTALL LEVER ADAPTOR

1. Install two keys **22** into stem slots **9**, use the grease to fix the keys in the slots.
 2. Install Adapter **24** and Lever **28** into Stem **9**.
 3. Install Adapter Screw **25** and Adapter Washer **26** with stem **9**, fixe **24** and **28** with stem, engage the keys.
 4. Use Lever Screw **29** to fix the lever set.
- Lock Device **30** is in option, please note the Lock Device **30** must be installed before the lever set.



Position verify



NO.6-1, QINGNIAN ROAD, YANGMEI DISTRICT, TAOYUAN CITY 326, TAIWAN

TEL: +886-3-4965066

FAX: +886-3-4965300

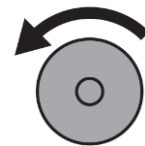
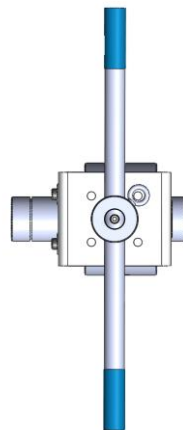
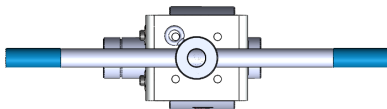
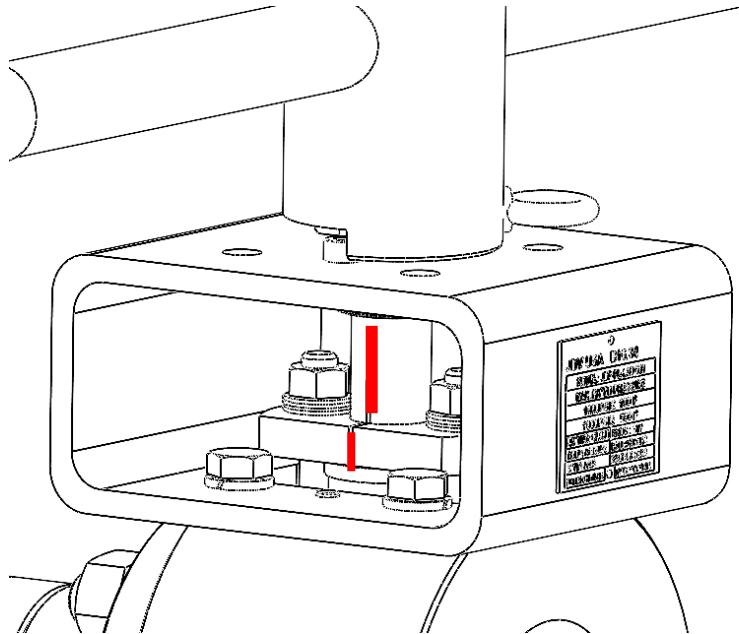
HTTP://www.jdv.com.tw



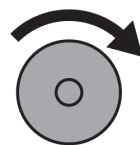
JDV CONTROL VALVES CO., LTD.

Technology For The Professionals.

VERIFY OPERATING POSITION



Open



Close



Misalignment of stops can result in valve under or over stroke causing a potential leak path.

THIS WILL AFFECT THE VALVE WARRANTY.



NO.6-1, QINGNIAN ROAD, YANGMEI DISTRICT, TAOYUAN CITY 326, TAIWAN

TEL: +886-3-4965066

FAX: +886-3-4965300

HTTP://www.jdv.com.tw



JDV CONTROL VALVES CO., LTD.

Technology For The Professionals.

Installation

PREPARE VALVE ENDS

All procedures shown in this IOM are for socket weld ends.

SOCKET WELD ENDS

Remove the blue plastic protective covers that were placed on valve ends when ex-factory.

Verify ball position

While looking in the bore, open and close the valve.

Verify that the ball position matches the lever position or actuator indicator.

For installation, the valve must be in OPEN position, to protect the ball from surface damage.

Valve installation in piping

Install the valve in piping by following the arrow direction of valve body.



Support or lift may be required, use lifting lugs or nylon straps around the valve body. **Do not** lift or support by the actuator alone.

JDV valves have a single direction of sealing that is indicated by the flow arrow on the body.

Note: In certain conditions, the valve may be installed in the flow arrow direction against with the line flow direction. Make sure that the "FLOW DIRECTION" is installed toward the higher pressure against the valve in the close position.



Always attach the welding ground strap to the same end being welded

Before welding, valve **must** be in the **OPEN** position to protect the ball from weld splatter and surface damage.

Do not allow the main valve body to reach a temperature hotter than 1100° F (593° C) during installation, welding or post weld heat treatment.

THIS WILL AFFECT THE VALVE WARRANTY.



NO.6-1, QINGNIAN ROAD, YANGMEI DISTRICT, TAOYUAN CITY 326, TAIWAN

TEL: +886-3-4965066

FAX: +886-3-4965300

HTTP://www.jdv.com.tw



JDV CONTROL VALVES CO., LTD.

Technology For The Professionals.

Weld valve in place

Weld valve in place is according to **ASME B31.1** or **ASME B31.3** requirements.

Post weld heat treatment (PWHT)

Note: PWHT may not be required for all valves. Consult ASME B31.1 to determine whether PWHT is required.

Install heating blankets

Before heat treatment, install heating blankets as shown in the following section “PROPER PWHT INSTALLATION.”

Do not install heating blankets to the center section of the valve body (indicated by the dotted red outline), including the neck section of the vented area.



The valve body **must** always remain below 1100° F (593° C). Proper use and placement of heating blankets accomplish this.

THIS WILL AFFECT THE VALVE WARRANTY

Proper PWHT installation

Install heating blankets, covered by proper insulation, as shown — **no gaps/no overlaps**. Heating blankets cover only weld areas. Blankets **should not cover** any part of the center section of the valve body. This will allow the **best and most effective** stress relieving in accordance with ASME B31.1, while **protecting** the ball and seat assembly from damage. If using a “snake” (sinuous coil heating element), make sure both ends of the valve are heated uniformly. An uninsulated loop in the middle will prevent proper heating. There are 4 possible solutions:

1. Insulate the loop only.
2. Use two separate snakes, one for each end.
3. Treat each end separately.
4. Avoid snakes. Best results are obtained with snug-fitting blankets, properly placed and insulated.

Note: Improper installations of heating blankets are shown in the following section.



NO.6-1, QINGNIAN ROAD, YANGMEI DISTRICT, TAOYUAN CITY 326, TAIWAN

TEL: +886-3-4965066

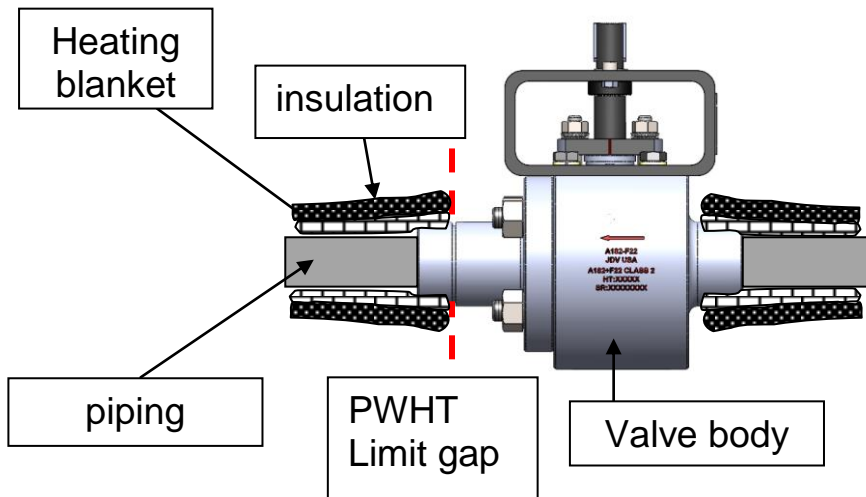
FAX: +886-3-4965300

HTTP://www.jdv.com.tw



JDV CONTROL VALVES CO., LTD.

Technology For The Professionals.



IMPROPER PWHT INSTALLATION

Heating blanket is not installed properly.

Heating blanket needs to cover the machined outside diameter of the socket weld, as well as the weld and pipe areas, to provide enough heat for proper stress relief. Insufficient stress relief may result in damage, delay, and increased costs.

Heating blanket is too long.

When a single heating blanket is too long and is “tucked in” at the end, heating elements next to the pipe can easily be **damaged** by heat from the elements on top of them.

Heating blanket is applied to valve body.

The use of three heating blankets is definitely **not** how to do it. **Never** apply heat to the valve body. The center section of the valve body **must** remain uninsulated and unheated.

STRESS RELIEVE THE WELDS

See guidelines for stress relief in ASME B31.1.

PWHT temperatures are shown below.

Note: These guidelines may be substituted by customer’s special requirements or best-practice procedures.



NO.6-1, QINGNIAN ROAD, YANGMEI DISTRICT, TAOYUAN CITY 326 , TAIWAN

TEL: +886-3-4965066

FAX: +886-3-4965300

HTTP://www.jdv.com.tw



JDV CONTROL VALVES CO., LTD.

Technology For The Professionals.

PWHT Requirements per ASME B31.1 and B31.3

PWHT Requirements per ASME B31.1 and B31.3				
Material	Preheat (°F)	Holding Temp.	Holding time based on nominal Thickness	
			Up to 2"	Over 2"
A105	200	1100~1200	1 hrs; 15mins min.	2 hrs; Plus 15mins For each addition inch Over 2"
A182-F22	300	1300~1400		
A182-F91	-	1350~1375		

PWHT Notes:

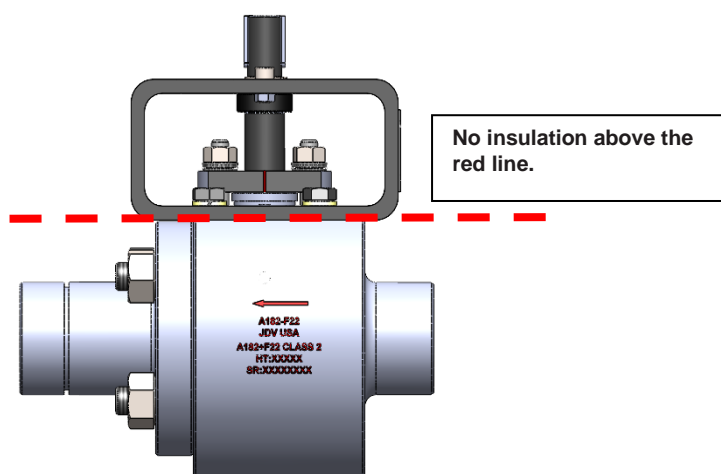
- 1 PWHT is not mandatory provided the nominal thickness is 0.75 inches (19 mm) or less and the minimum preheat temperature is applied when the nominal material thickness of either of the base metals exceeds 1 inch (25.4 mm).
- 2 PWHT is not mandatory provided the NPS is 4 or less, nominal material thickness is 0.5 inches (12.7 mm) or less, a specified carbon content of the material to be welded is 0.15% or less, and the minimum preheat temperature is maintained during welding.

Verify operation

After installation, open and close the valve to ensure the smooth operation. To operate, turn in **counter-clockwise to open** and **clockwise to close**.

Valve insulation

Valve insulation should **not exceed** the bottom of the Bracket in order to keep the visibility of valve operation all the time, refer below picture.



NO.6-1, QINGNIAN ROAD, YANGMEI DISTRICT, TAOYUAN CITY 326, TAIWAN

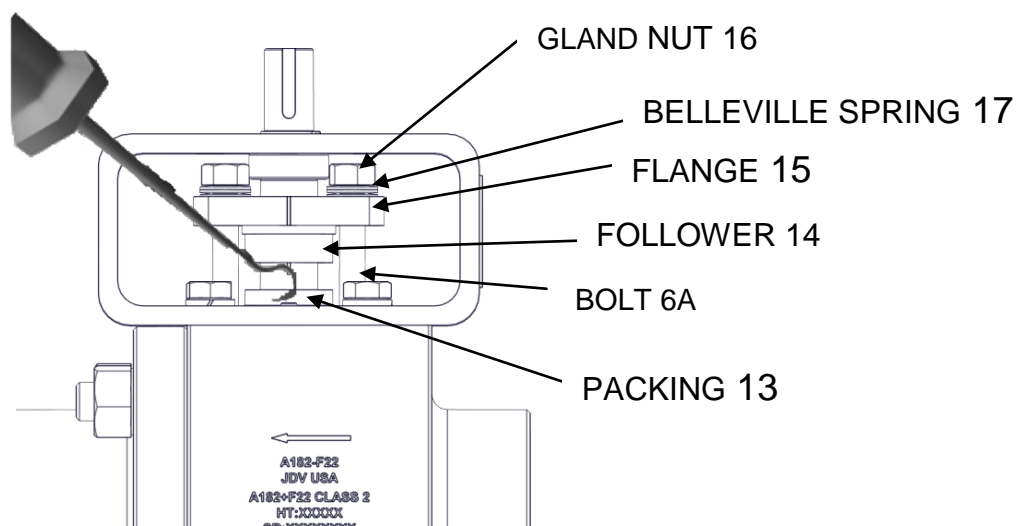
TEL: +886-3-4965066

FAX: +886-3-4965300

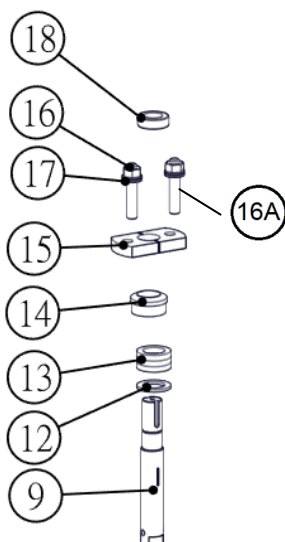
HTTP://www.jdv.com.tw



Replace Stem Packing





1. Locate packing GLAND NUT **16**. Turn nuts in counter clockwise to loosen and remove packing gland nuts.
2. Remove BOLT **16A** to allow the access to the used packing rings.
3. Locate and slide upward the gland flange **15**, BELLEVILLE SPRING **17** and FOLLOWER **14**. Using a small pick, carefully remove the **PACKING 13**. The packing ring **12** at the bottom of the packing box should **not** be removed.
4. Refer the Table 1 for the torques of Packing Gland Stud - ft. lbs. (N m).





Procedure of Disassembling

	<p>Warning:</p> <ol style="list-style-type: none">1. Prior to disassembling, the valve has to be at half-open position to guarantee full relief of pressure in ball chamber.2. All harmful substances have to be guaranteed to be cleaned completely.
	<p>Caution:</p> <ol style="list-style-type: none">1. Disassembling product has to be operated by qualified operators.2. It is recommended to contact JDV for the product maintenance and disassembling in order to avoid danger caused by the incorrect disassembling and assembling.





JBF-PL Disassembling/Assembling Procedure

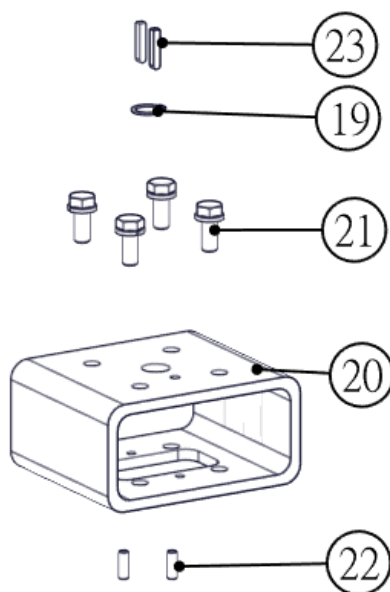
1. Turn the ball to close position.

Identify the ball valve in close position and then take out the ball

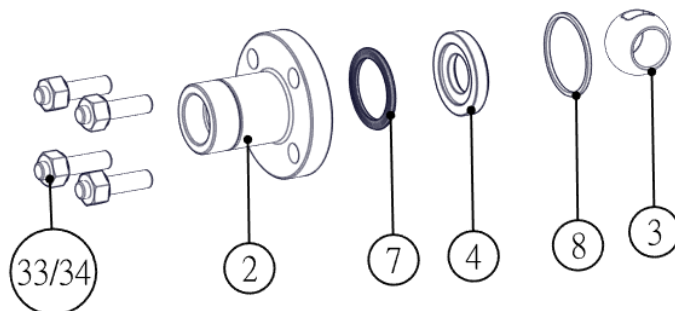
1.1 For manual valve, removing the Lever set.

1.2 For automation valve, remove the actuator.

2. Take out the stem snap ring (19) and key (23).
3. Loosen the bracket bolt(21) and disassemble the bracket(20) from valve body(1).
4. Remove the bracket pin.



5. Loosen the bolt & nut (33/34), disassemble cap (2) from body (1).
6. Take out cap (2), body gasket (7), and then seat gasket (8).

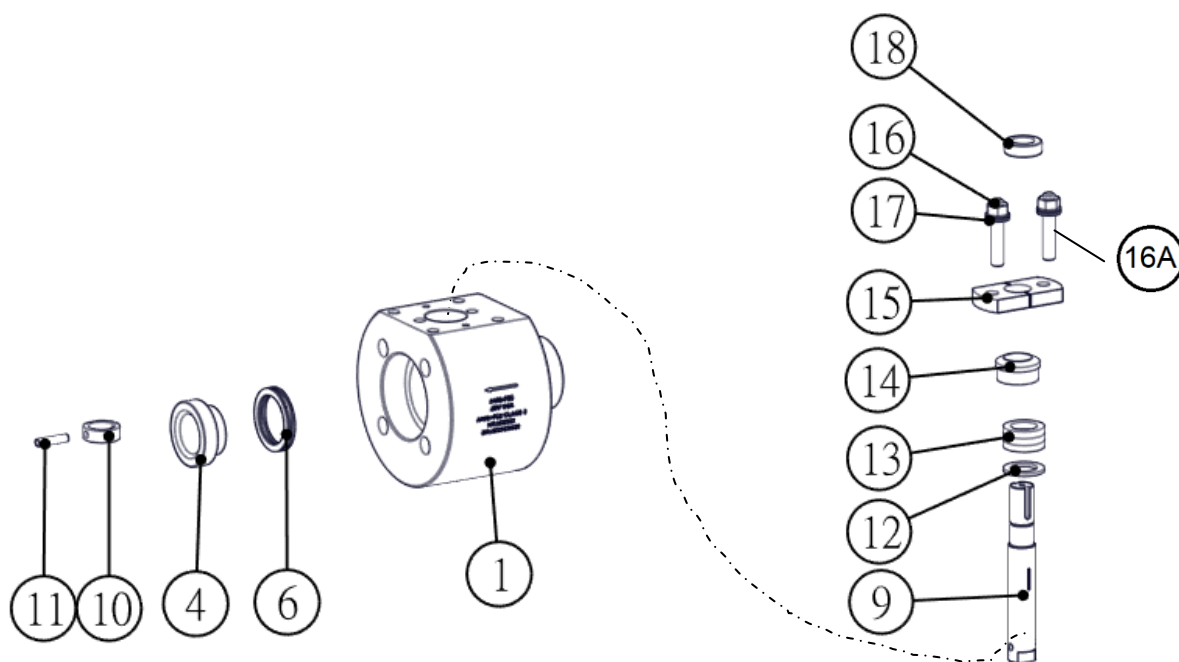




JDV CONTROL VALVES CO., LTD.

Technology For The Professionals.

7. Identify that the ball valve is at close position, and take out the BALL(3)
8. Loosen packing GLAND NUT 16. Turn nuts in counter clockwise to loosen and remove GLAND NUT 16. Remove BOLT16A to allow the access to the used PACKING 13. Locate and slide upward the GLAND FLANGE 15, BELLEVILLE SPRING 17 and GLAND FOLLOWER 14.
9. Push STEM 9 downward, take out the STEM 9, RETAINER PIN 11 and RETAINER RING 10.
10. Use a small pick to carefully remove the PACKING 13.
11. Pull out STEM 9.
12. Take out PACKING RING 12
13. Take out DOWNSTREAM SEAT 4 and WAVE SPRING 6.
14. Disassemble procedure is finished.
15. Reserve above disassembling steps to proceed the Assembling.



NO.6-1, QINGNIAN ROAD, YANGMEI DISTRICT, TAOYUAN CITY 326 , TAIWAN

TEL: +886-3-4965066

FAX: +886-3-4965300

HTTP://www.jdv.com.tw